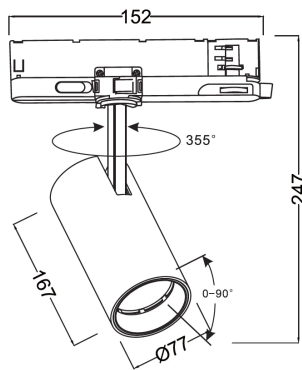


Track light LUMICANTO 14-29W CCT 36/60° black PRIME

Customize the light to your needs.

Lumicanto luminaires in the 14-29W version feature a wide range of versions available in a single luminaire. Thanks to the possibility of adjusting the colour temperature in the range: 3000K / 4000K / 6000K, 9 different power settings in the range: 14-29W and the 2 types of reflector available as a set: 36 and 60° offers 54 different setting versions. The colour temperature is adjusted using a switch on the power supply. Power is set via a DIP Switch also located on the power supply, which can be accessed quickly and easily by simply lifting the safety flap. Thanks to their versatility in terms of colour, power and beam angle, luminaires from the LUMICANTO series are ideal for illuminating office spaces, shopping malls, museums and modern interior design.

The high Ra>90 coefficient is ideal for displaying illuminated surfaces and objects, ensuring faithful colour rendering. The highest-quality components used, such as didoy Bridgelux and the KGP power supply, guarantee high luminous efficacy and durability.



Number of on/off cycles



Beam angle



Ambient temperature suitable for operation



Material (housing)



LED type



LED quantity



Lamp's diameter



Voltage range and voltage type



IK protection rating



Material (cover)



Lifespan



IP protection rating

Parameter	Value
Luminous efficacy	do 115 lm/W lm/W
Power	14-29 W
Colour of the light	White
Energy efficiency class 2019/2015	E
Luminous flux	1440 - 3200 lm lm
Correlated colour temperature	3000-4000-6000 K
Colour consistency in McAdam ellipses	≤3
IP protection rating	20
Warranty (years)	5
Survival factor	0,9
Lifetime L70B50	50 000
Mounting type	3 phase rail
Supply voltage range and voltage type	220-240 VAC
Frequency of the supply voltage	50/60Hz

Parameter	Value
LED quantity	1
Lifespan	50000
Power Factor	0,9
Number of on/off cycles	25000
Colour consistency in McAdam ellipses	≤3
Ambient temperature suitable for operation	5÷40 °C
For indoor use	Inside
IEC protection class	II
IK protection rating	06
Full box quantity	20 szt. pc
Lamp's warm-up time to 60%	1
Length	167 mm
Width	152 mm
Height	247 mm

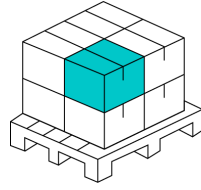
Colour rendering index Ra	90
Colour	Black
The lumen maintenance factor	96 %
Lamp's diameter	77
Beam angle	60/36 °
Material (cover)	clear glass
Material (housing)	aluminum
LED type	COB - BRIDGELUX

Product weight with packaging	692 g
EPREL ID	2 154 363
Is the product equipped with an integrated light source? (EPREL)	Yes
Non-directional or directional light source (EPREL)	NDLS
Mains or non- mains light source (EPREL)	NMLS
Connected light source (EPREL)	No
Colour-tuneable light source (EPREL)	No

Single packaging



Bulk packaging



Outer box quantity

20 pcs.

Europallet

